

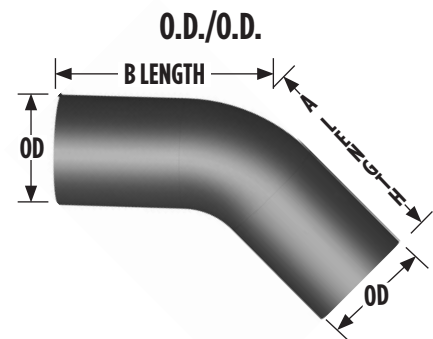
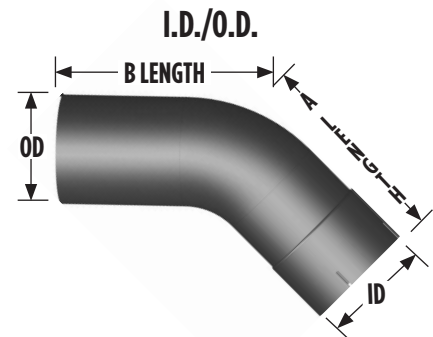
Elbows

DIA.	LENGTH A&B	CENTER LINE RADIUS	ALUMINIZED PART NO.	ALUMINIZED PART NO.	CHROME PART NO.	CHROME PART NO.
15° ELBOWS			I.D./O.D.	O.D./O.D.	I.D./O.D.	O.D./O.D.
3"	4"	3.5"	L315-0404A			
3.5"	4"	5"	L3515-0404A	L3515-0404SA		
4"	4"	4.5"	L415-0404A	L415-0404SA		
5"	4"	5.5"	L515-0404A	L515-0404SA		

30° ELBOWS			I.D./O.D.	O.D./O.D.	I.D./O.D.	O.D./O.D.
3"	4"	3.5"	L330-0404A	L330-0404SA		
3.5"	4"	5"	L3530-0404A	L3530-0404SA		
4"	4"	4.5"	L430-0404A	L430-0404SA		
5"	4"	5.5"	L530-0404A	L530-0404SA		

45° ELBOWS			I.D./O.D.	O.D./O.D.	I.D./O.D.	O.D./O.D.
2.5"	6"	3"	L2545-0606A			
3"	8"	4"	L345-0808A			
3.5"	9"	5"	L3545-0909A	L3545-0909SA		
4"	6"	4.5"	L445-0606A	L445-0606SA		
4"	9"	4.5"	L445-0909A	L445-0909SA		L445-0909SC
4"	12"	4.5"	L445-1212A	L445-1212SA		
5"	8"	5.5"	L545-0808A	L545-0808SA	L545-0808C	L545-0808SC
5"	12"	5.5"	L545-1212A	L545-1212SA	L545-1212C	L545-1212SC
6"	15"	6"	L645-1515A	L645-1515SA		L645-1515SC

60° ELBOWS			I.D./O.D.	O.D./O.D.	I.D./O.D.	O.D./O.D.
3"	8"	3.5"		L360-0808SA		
4"	8"	4.5"	L460-0808A	L460-0808SA		
4"	10"	4.5"	L460-1010A			
4"	12"	4.5"	L460-1212A	L460-1212SA		
5"	10"	5.5"	L560-1010A	L560-1010SA		L560-1010SC



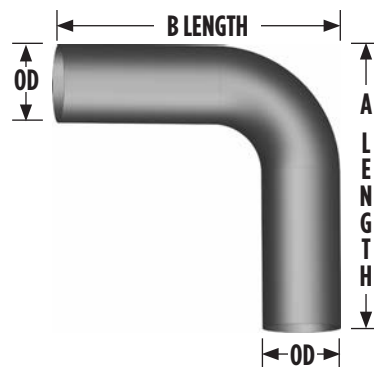
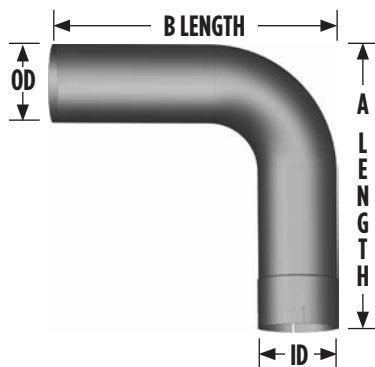
NOTE: Leg length is measured to the backside not the center line.

ELBOWS & Y-PIPES

90° Elbows

DIA.	LENGTH A&B	CENTER LINE RADIUS	I.D./O.D. ALUMINIZED PART NO.	I.D./O.D. CHROME PART NO.
2.5"	12"	4.5"	L2590-1212A	—
3"	7"	4"	L390-0707A	—
3"	8"	4"	L390-0808A	—
3"	10"	4"	L390-1010A	—
3"	14"	4"	L390-1414A	—
3.5"	8"	5"	L3590-0808A	—
3.5"	12"	5"	L3590-1212A	—
3.5"	16"	5"	L3590-1616A	—
4"	8"	4.5"	L490-0808A	L490-0808C
4"	10"	4.5"	L490-1010A	L490-1010C
4"	12"	4.5"	L490-1212A	L490-1212C
4"	15"	4.5"	L490-1515A	L490-1515C
4"	18"	4.5"	L490-1818A	L490-1818C
4"	18x29	4.5"	L490-1829A	—
5"	10"	5.5"	L590-1010A	L590-1010C
5"	12"	5.5"	L590-1212A	L590-1212C
5"	15"	5.5"	L590-1515A	L590-1515C
5"	18"	5.5"	L590-1818A	L590-1818C
5"	18x32	5.5"	L590-1832A	L590-1832C
5"	13.5"	8"	L590-1313A-8	—
5"	17.5"	8"	L590-1818A-8	—
6"	13"	7"	L690-1313A	L690-1313C
6"	24"	7"	L690-2424A	L690-2424C

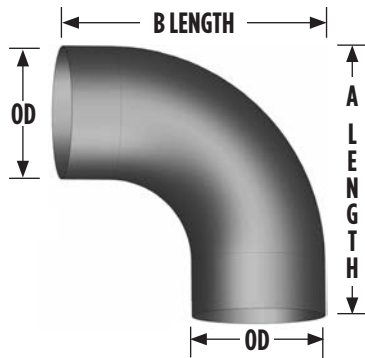
DIA.	LENGTH A&B	CENTER LINE RADIUS	O.D./O.D. ALUMINIZED PART NO.	O.D./O.D. CHROME PART NO.
3"	6"	4"	L390-0606SA	—
3"	7"	4"	L390-0707SA	—
3"	10"	4"	L390-1010SA	—
3"	14"	4"	L390-1414SA	—
3.5"	8"	5"	L3590-0808SA	—
3.5"	12"	5"	L3590-1212SA	—
3.5"	16"	5"	L3590-1616SA	—
4"	6"	4-1/2"	L490-0606SA	—
4"	8"	4-1/2"	L490-0808SA	L490-0808SC
4"	10"	4-1/2"	L490-1010SA	L490-1010SC
4"	12"	4-1/2"	L490-1212SA	L490-1212SC
4"	15"	4-1/2"	L490-1515SA	L490-1515SC
4"	18"	4-1/2"	L490-1818SA	L490-1818SC
4"	18 x 29"	4-1/2"	L490-1829SA	—
5"	10"	5-1/2"	L590-1010SA	L590-1010SC
5"	12"	5-1/2"	L590-1212SA	L590-1212SC
5"	15"	5-1/2"	L590-1515SA	L590-1515SC
5"	18"	5-1/2"	L590-1818SA	L590-1818SC
5"	18 x 32"	5-1/2"	L590-1832SA	L590-1832SC
5"	13.5"	8"	L590-1313SA-8	—
5"	17.5"	8"	L590-1818SA-8	—
6"	13"	7"	L690-1313SA	L690-1313SC
6"	24"	7"	L690-2424SA	L690-2424SC



NOTE: Leg length is measured to the backside not the center line.

90° Tangent Cut Elbows

- Cut at tangent NO straight
- Ideal for welding & repairing
- OD/OD only



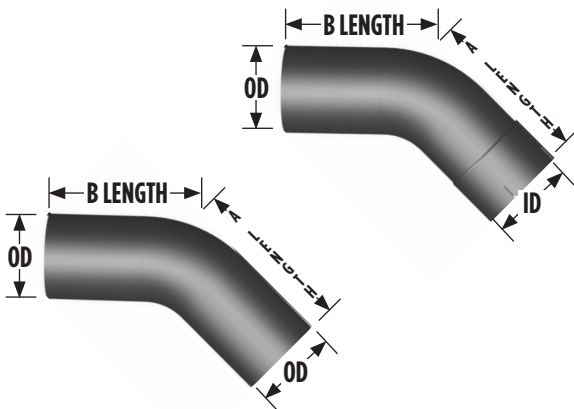
DIA.	LENGTH A&B	CENTER LINE RADIUS	ALUMINIZED PART NO.
3"	5"	3.5"	L390-0505SA
4"	6.5"	4.5"	L490-6565SA
5"	8"	5.5"	L590-0808SA
6"	10"	7"	L690-1010SA
8"	12"	12"	L890-2020S*

* Cold rolled steel and make to order, call for lead time

Aluminized Coated Stainless Steel Exhaust Parts

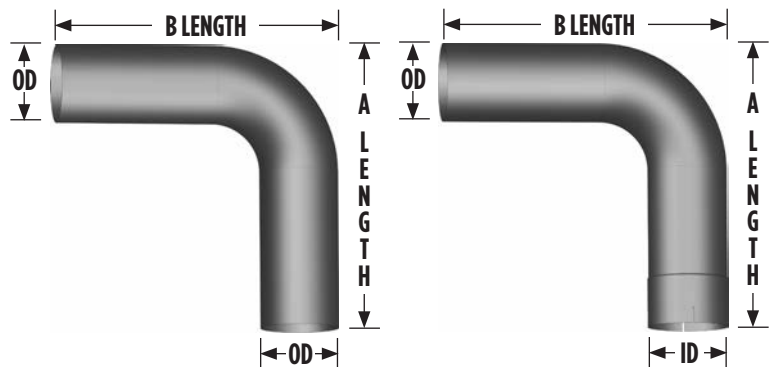
- 409 Stainless Aluminized
- 14 gauge
- These parts are not a bright finish.

45° Elbows



DIA.	LENGTH A&B	CENTER LINE RADIUS	ID/OD PART NO.	OD/OD PART NO.
4"	9"	4.5"	L445-0909S4	
5"	12"	5.5"	L545-1212S4	L545-1212S4S

90° Elbows



NOTE: Leg lengths are measured to the backside, not center line

DIA.	LENGTH A&B	CENTER LINE RADIUS	ID/OD PART NO.	OD/OD PART NO.
4"	12"	4.5"	L490-1212S4	L490-1212S4S
4"	18"	4.5"	L490-1818S4	
5"	12"	5.5"	L590-1212S4	L590-1212S4S
5"	18"	5.5"	L590-1818S4	L590-1818S4S

ELBOWS & Y-PIPES

Reduced 90° Elbows

