

# MUFFLERS, CONVERTERS, & SHIELDS

## TYPE 1 - RESONATORS

Type	Part No.	A Inlet Dia. I.D.	B Outlet Dia I.D.	C Body Dia.	D Body Length	E Overall Length	F Inlet Offset/ Clock Position	G Outlet Offset/ Clock Position	Fits
1	M-556	3"	3"	9"	11.5"	16"	-	-	-
1	M-150	3.5"	3.5"	9"	14"	19.75"	-	-	-
1	M-144	4"	4"	9"	10"	16.5"	-	-	-
1	M-145	5"	5"	9"	10"	16.5"	-	-	-

## TYPE 1 - END IN / END OUT CENTERED

Type	Part No.	A Inlet Dia. I.D.	B Outlet Dia I.D.	C Body Dia.	D Body Length	E Overall Length	F Inlet Offset/ Clock Position	G Outlet Offset/ Clock Position	Fits
1	M-187	3"	3"	6.1"	21"	30"	-	-	-
1	M-878	3"	4"	11"	36"	41.75"	-	-	Freightliner SB
1	M-110	3.5"	4"	8.5"	29.5"	36"	-	-	Thomas SB
1	M-188	3.5"	3.5"	7.1"	30"	38"	-	-	-
1	D5M	4"	5"	8"	15"	21"	-	-	Powerflow
1	M-079	4"	4"	10"	36"	43"	-	-	Bluebird SB
1	M-087	4"	4"	11"	36"	43"	-	-	Freightliner SB
1	M-127	4"	4"	8.5"	34.5"	41"	-	-	Mack R Model
1	M-130-4	4"	5"	10"	44.5"	51"	-	-	-
1	M-131	4"	4"	9"	44.5"	51"	-	-	-
1	M-444	4"	4"	10"	44.5"	51"	-	-	-
1	M-514	4"	5"	9"	44.5"	51"	-	-	Mack /Navistar/ Bluebird
1	M-630	4"	4"	6"	24"	30"	-	-	-
1	M-824	4"	4"	8"	15"	21.5"	-	-	Powerflow

# MUFFLERS, CONVERTERS, & SHIELDS

## Grab Handles

Bright 300 Series Stainless Steel. Bolts onto Heat Shields.

LENGTH	PART NO.
18"	GH-18S
24"	GH-24S



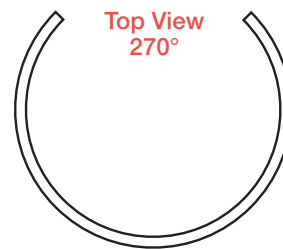
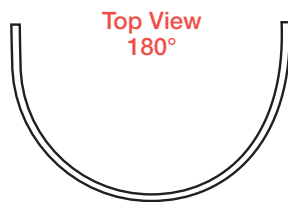
# MUFFLERS, CONVERTERS, & SHIELDS

## Heat Shields

**2 PC. MOUNTING BRACKETS  
NOT INCLUDED WITH SHIELD**  
SEE PAGE 71 FOR MOUNTING BRACKETS

STAINLESS STEEL IS BRIGHT FINISH

DEGREE OF WRAP AROUND	LENGTH	TO FIT DIA.	ALUMINIZED PART NO. ROUND HOLE	NO HOLE PART NO.	ROUND HOLE PART NO.	VERTICLE SLOT PART NO.
180°	30"	4"	-	PG-30NS	-	PG-30VS
180°	30"	5"	-	PG-30NS	-	PG-30VS
180°	30"	6"	-	PG-30NS	-	PG-30VS
180°	30"	7"	-	PG-30NS	-	PG-30VS
180°	42"	9"	MG-42RA	-	MG-42RS	-
180°	42"	10"	MG-42RA	-	MG-42RS	-
180°	48"	4"	PG-G	PG-NS	PG-S	PG-VS
180°	48"	5"	PG-G	PG-NS	PG-S	PG-VS
180°	48"	6"	PG-G	PG-NS	PG-S	PG-VS
180°	48"	7"	PG-G	PG-NS	PG-S	PG-VS
180°	48"	8"	MG-G	MG-NS	MG-S	MG-VS
180°	48"	8.5"	MG-G	MG-NS	MG-S	MG-VS
180°	48"	9"	MG-G	MG-NS	MG-S	MG-VS
180°	48"	10"	MG-G	MG-NS	MG-S	MG-VS
270°	48"	9"		MG-48270NS	MG-48270RS	MG-48270VS
270°	48"	10"		MG-48270NS	MG-48270RS	MG-48270VS
270°	60"	10"		MG-60270NS	MG-60270RS	MG-60270VS



No Hole



Round Hole



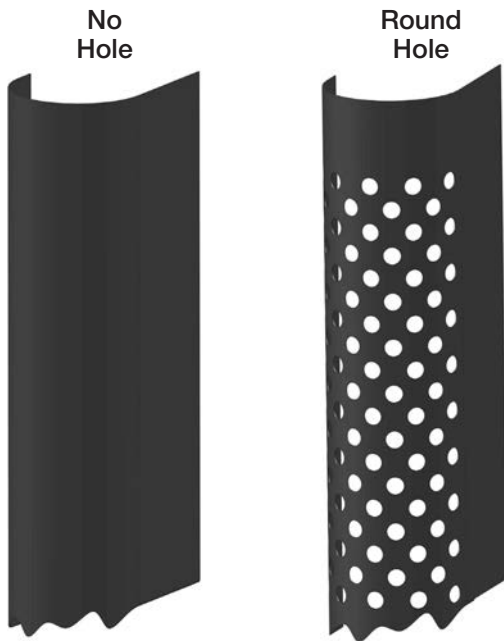
Vertical Slot



# MUFFLERS, CONVERTERS, & SHIELDS

## Aerodynamic Heat Shields

**2 PC. MOUNTING BRACKETS  
NOT INCLUDED WITH SHIELD**  
SEE PAGE 71 FOR MOUNTING BRACKETS



TO FIT DIA.	LENGTH	NO HOLE PART NO.	ROUND HOLE PART NO.
5" - 10"	60"	AHS-NS	AHS-RS

Polished stainless steel, 60" long to cover all clamps & mounting brackets

# MUFFLERS, CONVERTERS, & SHIELDS

## Heat Shields

Chrome Plated • Stainless Steel

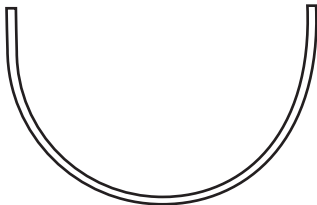
### ULTRA BRIGHT

No Rust, No Dulling or Tarnishing!

**2 PC. MOUNTING BRACKETS  
NOT INCLUDED WITH SHIELD**  
SEE PAGE 71 FOR MOUNTING BRACKETS

DEGREE OF WRAP AROUND	LENGTH	TO FIT DIA.	NO HOLE PART NO.	ROUND HOLE PART NO.	VERTICAL SLOT PART NO.
180°	48"	4" - 7"	PG-NCSP	PG-RSCP	PG-VSCP

Top View  
180°



No Hole



Round Hole



Vertical Slot

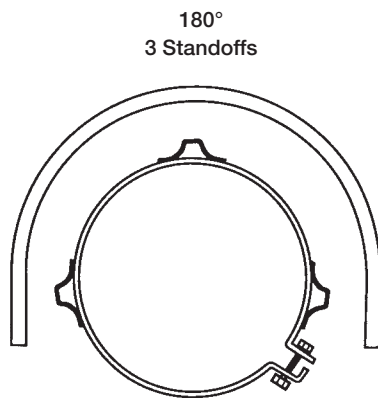


# MUFFLERS, CONVERTERS, & SHIELDS

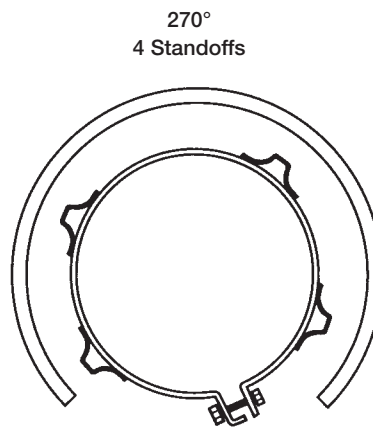
## Mounting Brackets

### 180°, 270° & Aerodynamic Heat Shield Mounting Brackets

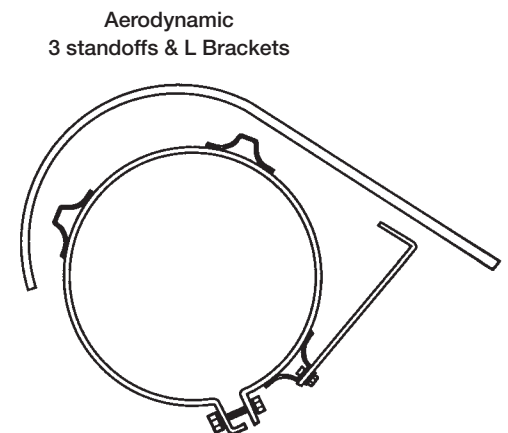
TO FIT DEGREE OF HEAT SHIELD	TO FIT DIA.	ZINC PLATED PART NO.	CHROME PLATED PART NO.
180°	4"	-	PG-4CBRKT
180°	5"	-	PG-5CBRKT
180°	6"	-	PG-6CBRKT
180°	7"	-	PG-7CBRKT
180°	8"	MG-8ZBRKT	-
180°	8.5"	MG-85ZBRKT	-
180°	9"	MG-9ZBRKT	-
180°	10"	MG-10ZBRKT	-
270°	9"	MG-9270BRKT	-
270°	10"	MG-10270BRKT	-
Aero	5"	AHS-5BRKT	-
Aero	6"	AHS-6BRKT	-
Aero	7"	AHS-7BRKT	-
Aero	10"	AHS-10BRKT	-



Top View



Top View

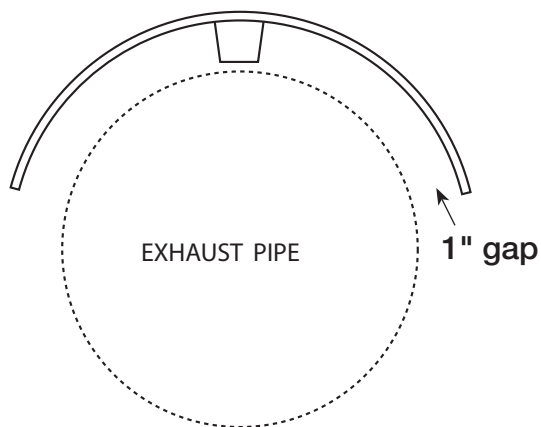
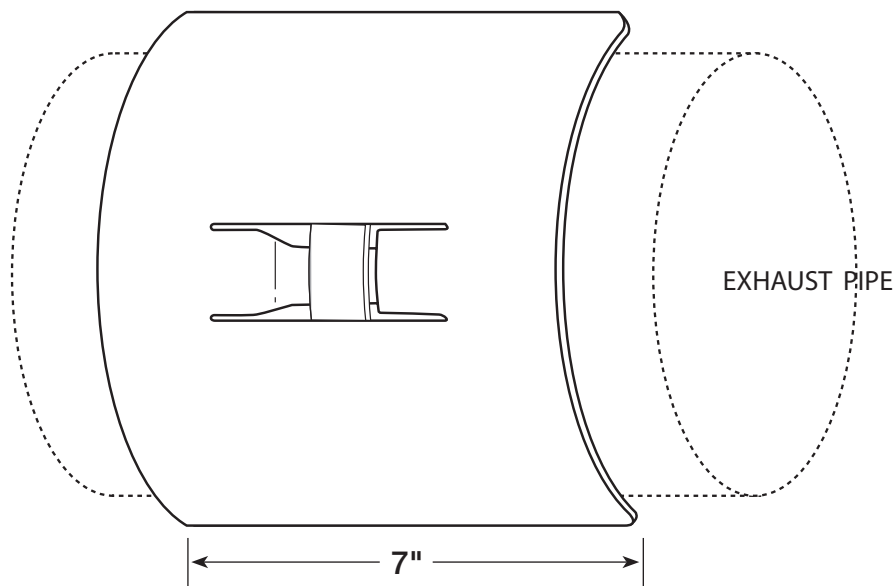


Top View

# MUFFLERS, CONVERTERS, & SHIELDS

## Universal Heat Shields

- Heat shield for exhaust pipe
- Protect wires, air, oil or fuel lines from extreme heat
- Universal fit, 3" - 6" diameter pipes
- Held on with strap clamp (included)



QTY.	PART NO.
1	UHS
10	UHS-B (10 pc. Bulk Pack)