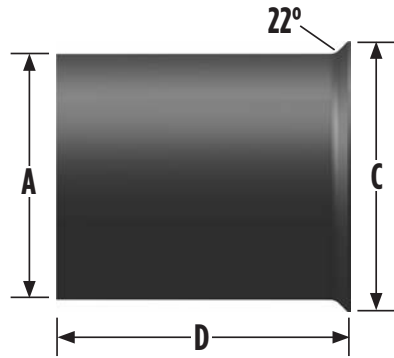
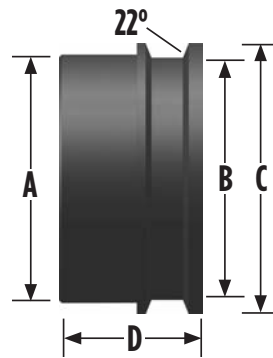


CONNECTORS, REDUCERS & REPAIR SECTIONS

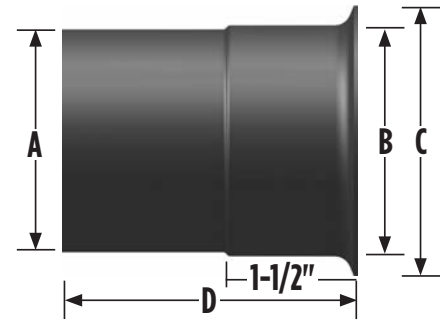
Turbo and Manifold Outlet Adapters



STYLE A



STYLE B - MACHINED

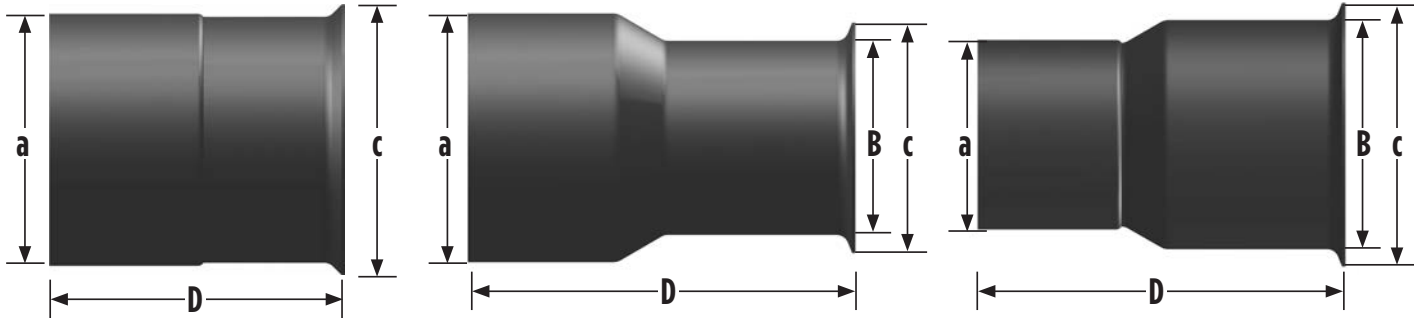


STYLE C

PART NO.	STYLE	A	B	C	D	FLARE	APPLICATION	USE WITH V-BAND CLAMP NO.	BREEZE
AD-311MF	B	2.86"OD	2.79"ID	3.114"	1.62"	22°	OE No.3910990 5.9L Cummins	VB-321C	VT-10323
AD-411MF	B	3.86"OD	3.725"ID	4.00"	2.125"	22°	OE No.3910995 8.3L Cummins	VB-413C	VT-10413
T321-2	A	2.75"OD		3.21"	2"	22°	OE No.3910990 5.9L Cummins	VB-321C	VT10321
T321-3ID	C	3"OD	3"ID	3.21"	3"	22°		VB-321C	VT10321
T375-6	A	3"OD		3.75"	6"	22°		VB-301I	VT10388
T400-6	A	3.5"OD	3.5"ID	4.00"	6"	45°	Detroit Diesel		
T407-4	A	3.5"OD	3.5"ID	4.07"	4"	22°	3208T Cat.	VB-419C	
T425-4	A	3.5"OD	3.5"ID	4.25"	4"	22°	7.3 Ford Powerstroke	VB-419C	
T450-6	A	4"OD	4"ID	4.5"	6"	45°	Cummins		VT10450
T461-4	A	4"OD	4"ID	4.61"	4"	22°	3306 Cat.	VB-461M	VT10461
T461-4	A	4"OD	4"ID	4.61"	4"	22°	Most 6 Cyl. Macks	VB-461M	VT10461
T475-4	A	4"OD	4"ID	4.75"	4"	22°	L10 Cummins & 3176 Cat	VB-475C	VT10475
T475-4	A	4"OD	4"ID	4.75"	4"	22°	8.2T Detroit Diesel, 6-71, 12V-71	VB-475D	VT10475
T525-4	B	5"OD	4.5"ID	5.25"	4.75"	22°	6V & 8V92T Detroit	VB-525D	VT10525
T550-6	A	5"OD	5"ID	5.5"	6"	45°	N14 & ISX Cummins		
T588-6 PYRO	A	5"OD	5"ID	5.88"	6"	22°	Cummins NTC	VB-588C	VT10588
T588-6	A	5"OD	5"ID	5.88"	6"	22°	3406 & C15 Cat.	VB-588C	VT10588
T588-6	A	5"OD	5"ID	5.88"	6"	22°	855 C.I. Cummins W/T50 Turbo	VB-588C	VT10588
T588-6	A	5"OD	5"ID	5.88"	6"	22°	60 Series Detroit	VB-588C	VT10588
T362-6ID	C	3"OD	3"ID	3.62"	6"	22°	Detroit Diesel 6V71		VT10382
T425-6ID	C	3.5"OD	3.5"ID	4.25"	6"	22°	Detroit Diesel 8V71		VT10450A
T475-6ID	C	4"OD	4"ID	4.75"	6"	22°	Detroit Diesel 12V71	VB-475D	VT10475

CONNECTORS, REDUCERS & REPAIR SECTIONS

Turbo and Manifold Outlet Adapters, continued



STYLE D

STYLE E

STYLE F

PART NO.	STYLE	A	B	C	D	FLARE	APPLICATION	USE WITH V-BAND CLAMP NO.	BREEZE
TURBO REPAIR FLANGES									
TRF-4625	D	4"ID	4"ID	4.625"	2"	22°	Replaces Cat No. 9N-6325	VB-461D	VT10461
TRF-475	D	4"ID	4"ID	4.75"	2"	22°	T35 Turbo, L10 & 3176	VB-475C	VT10475
TRF-588	D	5"ID	5"ID	5.88"	2"	22°	T50 Turbo, N14, ISX, 3406, C15, 60 Series	VB-588C	VT10588-1
TRF-550	D	5"ID	5"ID	5.5"	2"	22°	T50 Turbo, N14, ISX, 3406, C15, 60 Series	VB-588C	VT10588-1
TRF-450	D	4"ID	4"ID	4.5"	2"	22°	C7, 3116 & 3126 CAT	VB-461D	VT10461
TRF-425	D	3.5"ID	3.5"ID	4.25"	2"	22°	DT-466, DT-408, DT-360, VT-365	VB-350I	
T475-8E	E	5"ID	4"OD	4.75"	8"	22°	T35 Turbo, L10, 3176	VB-475C	VT10475
T588-8F	F	4"ID	5"OD	5.75"	8"	22°	T50, 3406, N14, ISX 60 Series Detroit	VB-588C	VT10588

PART NO.	DEGREE OF BEND	A	B
PB-13002	85°	6"	7"
PB-13430	58°	4-21/32"	5-21/32"
FL-16460	35°	2-1/2"	5"
KW-15565	22°	5-11/16"	5-7/16"
WS-3520	20°	3-5/16"	8-1/2"

