

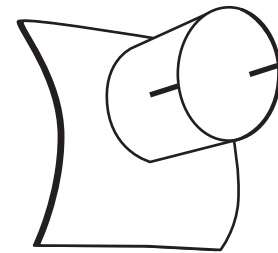
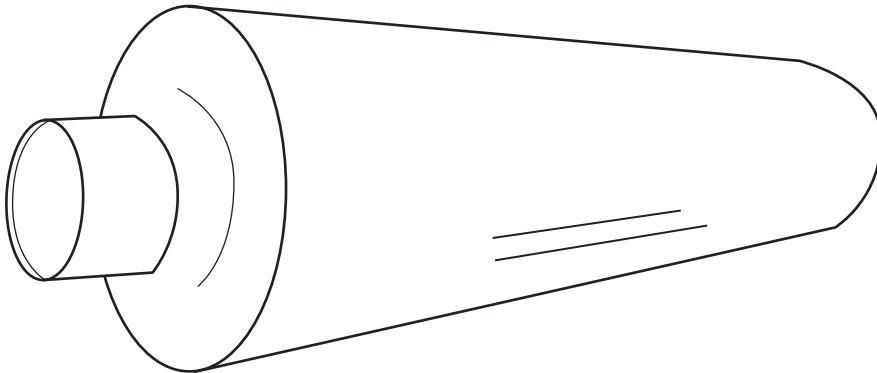
# MUFFLERS, CONVERTERS, & SHIELDS

## Grand Rock Universal End-In, Side-Out Muffler

***Muffler Also Accomodates Side-In, End Out!  
YOU Decide Where to Put the Outlet!***

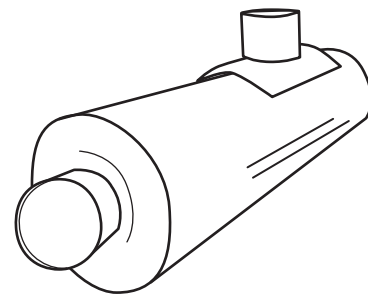
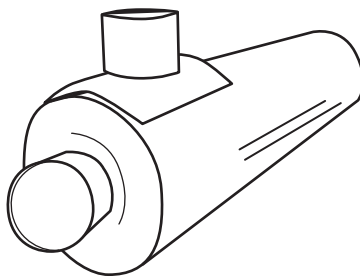
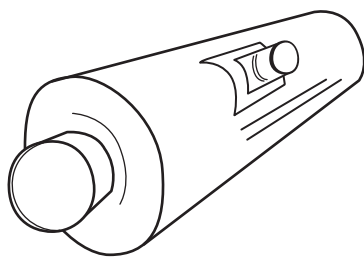
- Saves on Muffler Inventory Costs
- 4" Version for use on motors up to 10 Litre
- 5" Version: 11 Litre & Larger
- No more scrambling to find the right style

### ***Universal Body***



**OUTLET PATCH - 3.5", 4", or 5"  
(8" x 8" - 14 ga., Sold Separately)**

**SPECS: 10" or 11" Round x 36" Long Body - 16-gauge Aluminized Construction (27 lbs.)**



**Place the outlet anywhere you need - just cut a hole in the body & weld the patch  
(\*Note: USE AN OD PATCH IF YOU ARE ATTACHING FLEX TO OUTLET)**

10" MUFFLER PART NO.	11" MUFFLER PART NO.	INLET DIA.	PATCH OUTLET PART NO.	OUTLET DIA.
ARG-03536	ARG-03536-11	3.5" ID	ARP-035	3.5" ID
ARG-035360D	ARG-03536-110D	3.5" OD	ARP-0350D	3.5" OD
ARG-0436	ARG-0436-11	4" ID	ARP-04	4" ID
ARG-04360D	ARG-04360D-11	4" OD	ARP-040D	4" OD
ARG-0536	ARG-0536-11	5" ID	ARP-05	5" ID
ARG-05360D	ARG-05360D-11	5" OD	ARP-050D	5" OD

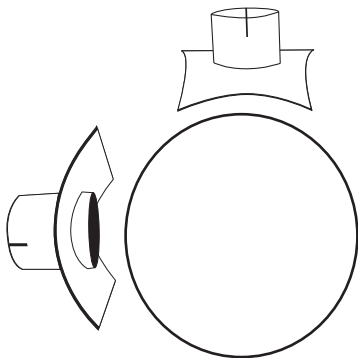
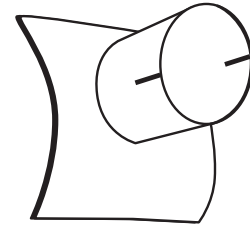
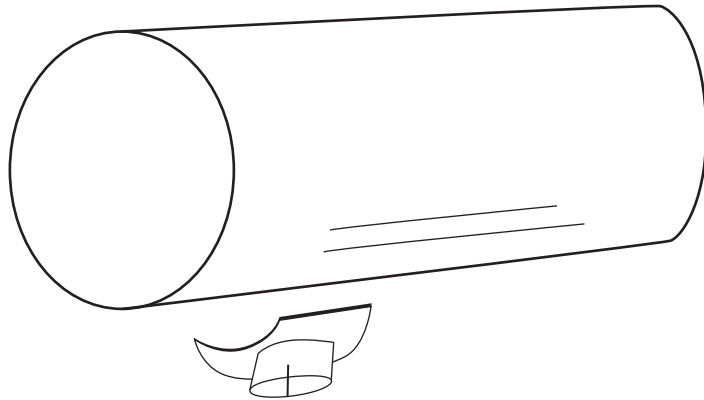


# MUFFLERS, CONVERTERS, & SHIELDS

## Universal Muffler

Side inlet, side outlet universal muffler.

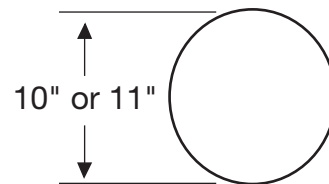
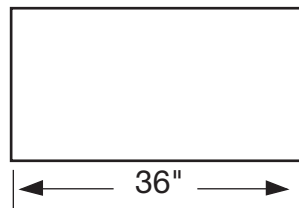
Both ends capped, use ARP Patch's for your choice of inlet & outlet.



Single In, Single Out, Dual In, Single Out, combinations are endless.

Stock 1 muffler body and a few patches, replacing **hundreds** of part numbers.

MUFFLER BODY PART NO.	DIA.
EKM-1036	10"
EKM-1136	11"



PATCH-OUTLET PART NO.	OUTLET DIAMETER
ARP-0350D	3.5" OD
ARP-04	4" ID
ARP-040D	4" OD
ARP-05	5" ID
ARP-050D	5" OD

