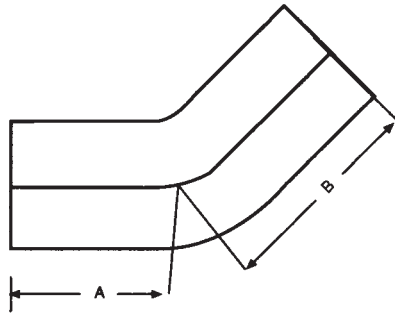
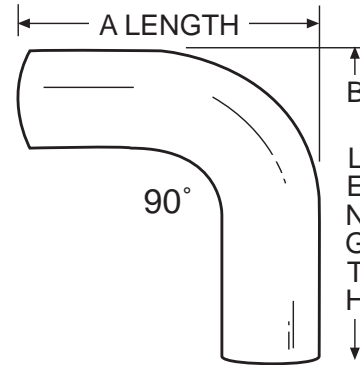


Custom Elbows



Measure to center line



Measure to backside

CALL FOR LEAD TIME

Quantity _____

Diameter _____

Degree of Bend _____

A Dimension _____

B Dimension _____

A or B Expanded (I.D.) _____

Aluminized, Chrome, Plain, SS, CL, CC _____

Bending Capability

Compression Bending

DIA.	CLR
1.5"	3"
1.75"	3", 4"
2"	3", 4", 5"
2.25"	4", 5"
2.5"	4", 5"

Mandrel Bending

DIA.	CLR
3"	3.5"
3.5"	5"
4"	4.5"
5"	5.5", 6", 7.5", 10"
6"	7", 10"
7"	8"
8"	12"

